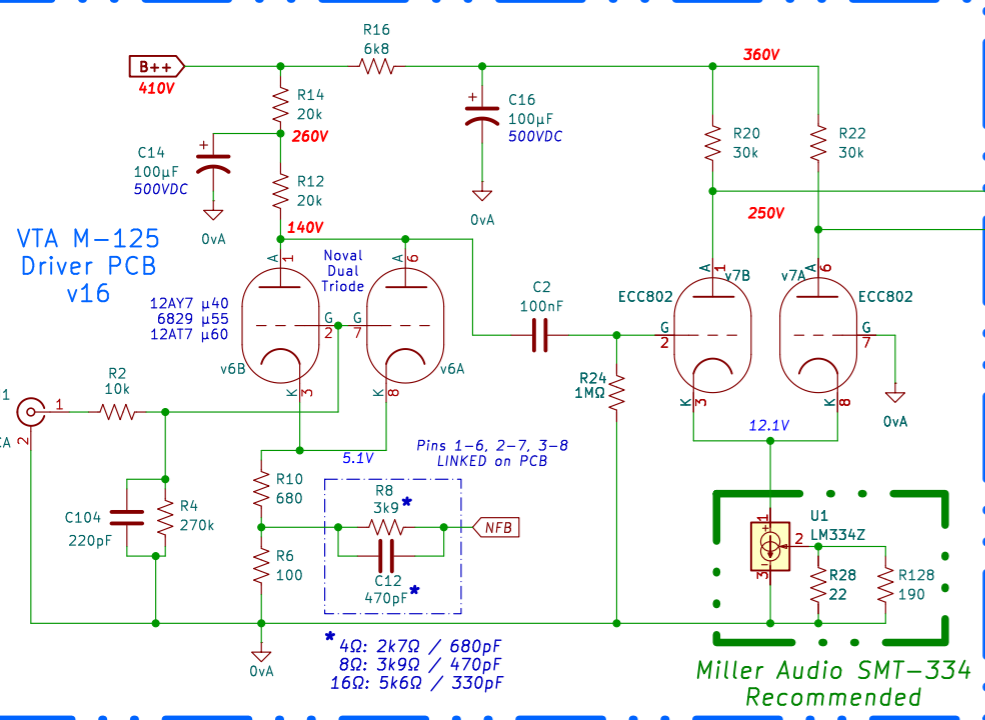


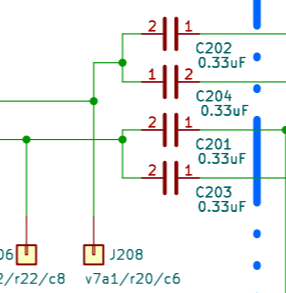
VTA M-125 Driver PCB v16



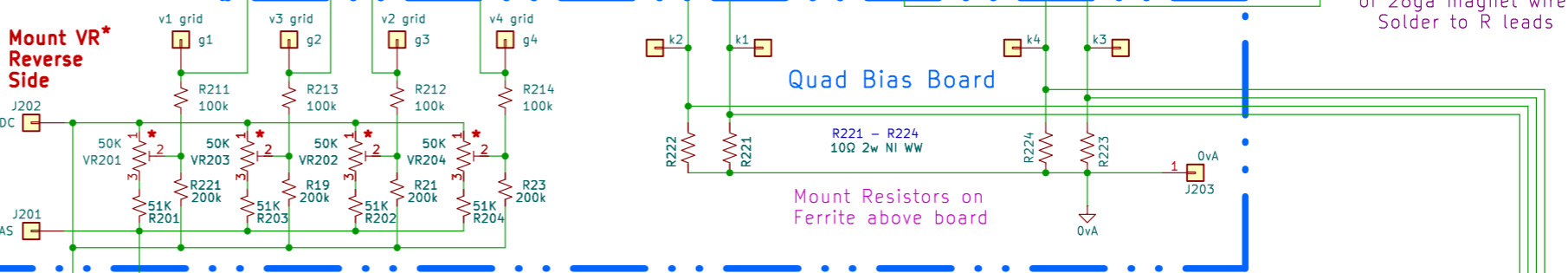
4Ω: 2k7Ω / 680pF
8Ω: 3k9Ω / 470pF
16Ω: 5k6Ω / 330pF

Miller Audio SMT-334 Recommended

Mount VR* Reverse Side



Quad Bias Board

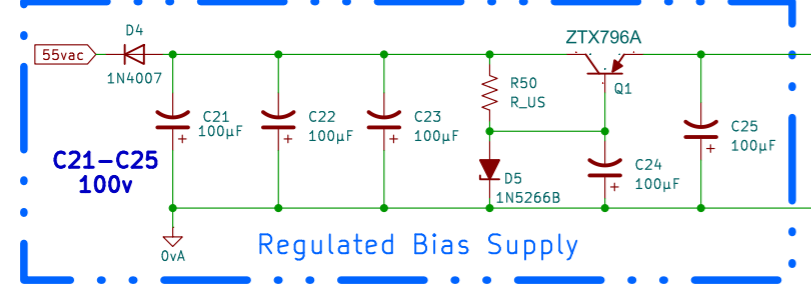


Mount Resistors on Ferrite above board

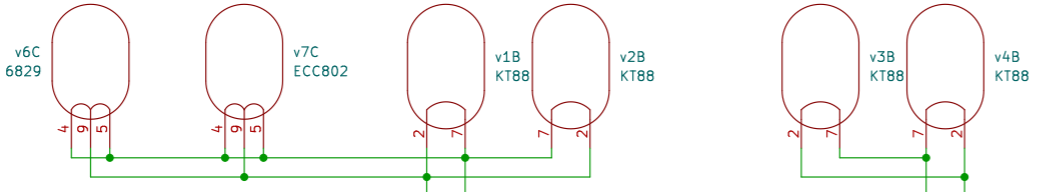
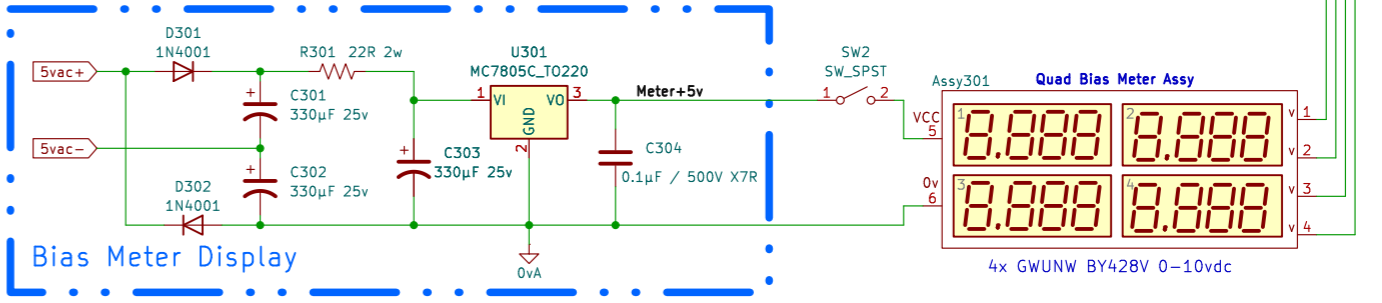
* Change tap and feedback to match loudspeakers.

R1* 47Ω 2w flameproof carbon film resistor wrapped w ≈ 20-30 turns of 28ga magnet wire. Solder to R leads

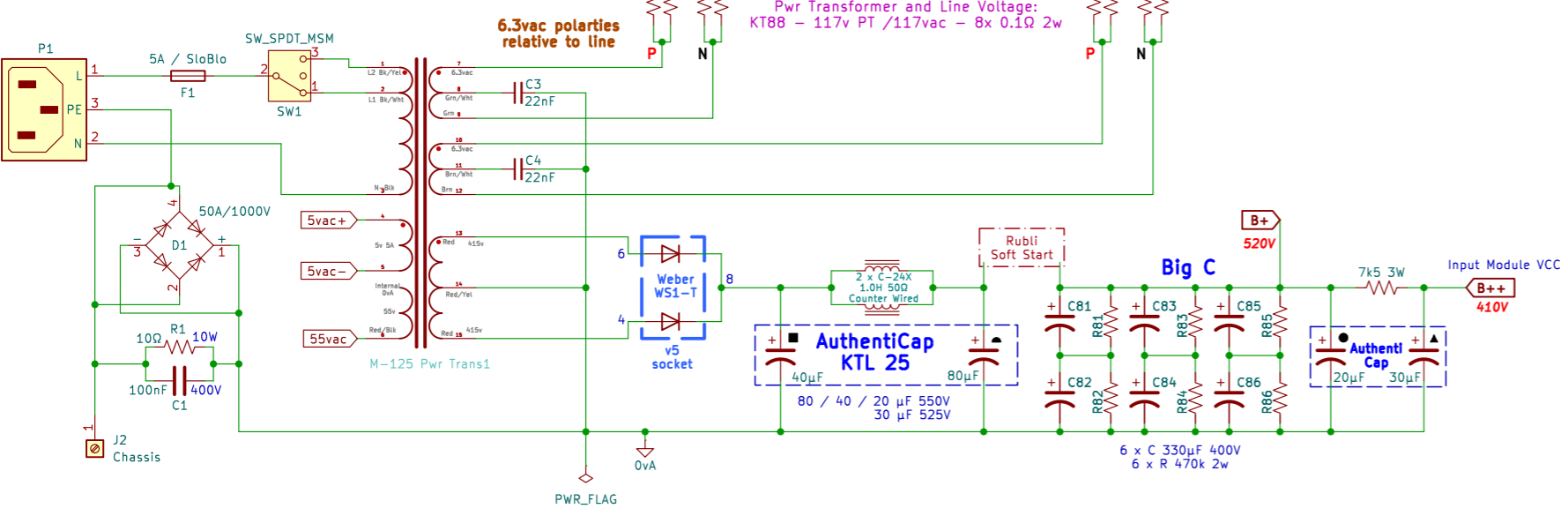
Regulated Bias Supply



Bias Meter Display



* Resistor value TBD by Tube Type, Pwr Transformer and Line Voltage:
KT88 - 117v PT /117vac - 8x 0.1Ω 2w



ieLogical M-125

Sheet: /	File: M-125_ieLogical.kicad_sch
Title: M-125_ieLogical 2025	
Size: A3	Date: 24-01-23
KiCad E.D.A. 8.0.8	Rev: 1/1